

Specifications

Luzon **R32**

- Compressor with Digital Inverter Boost technology.
- Equipped with NASA communication protocol.
- Direct drive fan powered by a BLDC motor.

- Triple Protector Plus to protect compressor, fan and controller from power surges.
- Compatible with wired remote controller. The centralized controller is only compatible with bigger capacity ODU¹.



Indoor Unit			AR09TXHZAWKNEU	AR12TXHZAWKNEU	AR18TXHZAWKNEU	AR24TXHZAWKNEU
Outdoor Unit			AR09TXHZAWKXEU	AR12TXHZAWKXEU	AR18TXHZAWKXEU	AR24TXHZAWKXEU
Capacity						
Capacity	Cooling (Nominal)	kW	2.5	3.5	5.0	6.5
	Cooling (Min-Max)	kW	0.9-3.4	0.9-4.0	1.6-6.7	1.4-7.6
	Heating @ +7 °C	kW	3.2	3.5	6.0	7.4
	Heating (Min-Max)	kW	0.9-4.5	0.9-5.0	1.3-8.0	1.2-9.4
	Heating @ -5 °C	kW	2.74	3.09	4.84	6.00
	Heating @ -10 °C	kW	2.48	2.87	4.57	5.55
	Heating @ -15 °C	kW	2.29	2.58	4.58	5.66
Performance						
Energy Efficiency Cooling	SEER ²	W/W	6.7/ A++	6.5/ A++	6.8/ A++	6.4/ A++
	Power Consumption	kWh/a	131	188	257	355
	Pdesignc	kW	2.5	3.5	5.0	6.5
	EER	W/W	3.57	2.87	3.60	3.33
Energy Efficiency Heating	SCOP ²	W/W	4.0/ A+	4.0/ A+	3.8/ A	4.0/ A
	Power Consumption	kWh/a	735	770	1,400	1,511
	Pdesignh (average)	kW	2.1	2.2	3.8	4.1
	COP ²	W/W	3.81	3.72	3.51	3.15
Moisture Removal		l/h	1.0	1.5	2.0	2.5
Maximum Airflow (Cooling)	Indoor Unit	m ³ /min	10.5	10.9	16.5	17.2
	Outdoor Unit	m ³ /min	28.0	28.0	50.0	50.0
Sound Power	Indoor Unit (Cooling)	dB(A)	54	56	58	62
	Outdoor Unit (Cooling)	dB(A)	63	64	65	68
Sound Pressure	Indoor Unit High/Silent Mode	dB(A)	37/19	38/19	41/25	45/26
	Outdoor Unit High	dB(A)	46	47	51	54
Operating Temperature Range	Cooling	°C	-10-46	-10-46	-10-46	-10-46
	Heating	°C	-15-24	-15-24	-15-24	-15-24
Electrical Data						
Power Source	Φ, V, Hz		1Φ, 220-240 V, 50 Hz	1Φ, 220-240 V, 50 Hz	1Φ, 220-240 V, 50 Hz	1Φ, 220-240 V, 50 Hz
Compressor Type	Outdoor Unit	Type	BLDC Rotary	BLDC Rotary	BLDC Rotary	BLDC Rotary
	Power Consumption	Cooling	W	700	1,220	1,390
	Heating	W	840	940	1,710	2,350
Operating Current	Cooling	A	3.6	5.6	6.4	8.8
	Heating	A	4.0	4.5	7.8	10.5
Dimensions						
Net Dimensions (W x H x D)	Indoor Unit	mm	820 x 299 x 215	820 x 299 x 215	1,055 x 299 x 215	1,055 x 299 x 215
	Outdoor Unit	mm	660 x 475 x 242	660 x 475 x 242	880 x 638 x 310	880 x 638 x 310
Net Weight	Indoor Unit	kg	9.1	9.1	11.5	11.6
	Outdoor Unit	kg	22.6	22.6	39.7	43.2
Refrigerant						
Refrigerant	Type		R32 (contains fluorinated greenhouse gases. GWP = 675)			
	Charging (for 5 m)	kg	0.70	0.70	1.30	1.30
	Charging Ton Equivalent CO ₂	tCO ₂ e	0.47	0.47	0.88	0.88
	Additional Refrigerant Charging	g/m	15	15	15	15
Piping Connections	Liquid Pipe	ø, mm (inch)	6.35 (1/4)	6.35 (1/4)	6.35 (1/4)	6.35 (1/4)
	Gas Pipe	ø, mm (inch)	9.52 (3/8)	9.52 (3/8)	12.70 (1/2)	15.88 (5/8)
Piping Length	Min/Max (ODU to IDU)	m	3/15	3/15	3/30	3/30
Piping Height	Max	m	8	8	15	15
Piping Connections	Drain Pipe	ø, mm	ø16.3, 550 mm	ø16.3, 550 mm	ø16.3, 550 mm	ø16.3, 550 mm

Indoor Unit			AR09TXHZAWKNEU	AR12TXHZAWKNEU	AR18TXHZAWKNEU	AR24TXHZAWKNEU
Outdoor Unit			AR09TXHZAWKXEU	AR12TXHZAWKXEU	AR18TXHZAWKXEU	AR24TXHZAWKXEU
Functions						
Airflow	WindFree™ Cooling					
	Air Direction Control (Up/Down)		Auto	Auto	Auto	Auto
	Air Direction Control (Left/Right)		Manual	Manual	Manual	Manual
	Auto Fan Speed		●	●	●	●
Air Purification	Tri-Care Filter		●	●	●	●
	Easy Filter Plus		●	●	●	●
	Auto Clean (Self-Cleaning)		●	●	●	●
Operating Mode	AI Auto Comfort with Wi-Fi & MDS (direct/indirect)		-	-	-	-
	AI Auto Comfort with Wi-Fi		-	-	-	-
	Auto Mode (without Wi-Fi)		●	●	●	●
	Fast Cooling		●	●	●	●
	Good Sleep		●	●	●	●
	Eco		●	●	●	●
	Dehumidification		●	●	●	●
	Fan		●	●	●	●
Quiet		●	●	●	●	
Other Functions	Samsung SmartThings		-	-	-	-
	MDS (Motion Detect Sensor)		-	-	-	-
	Indoor Temperature Display		●	●	●	●
	Display On/Off	88 Display	●	●	●	●
	Beep On/Off		●	●	●	●
	Auto Changoover		●	●	●	●
	Auto Restart		●	●	●	●

Accessory			
Wireless Remote Controller (included)	Advanced Wired Controller	Simple Type Controller	Touch Controller
	MWR-WG00JN/MWR-WG00KN	MWR-SH00N	MWR-SH11N

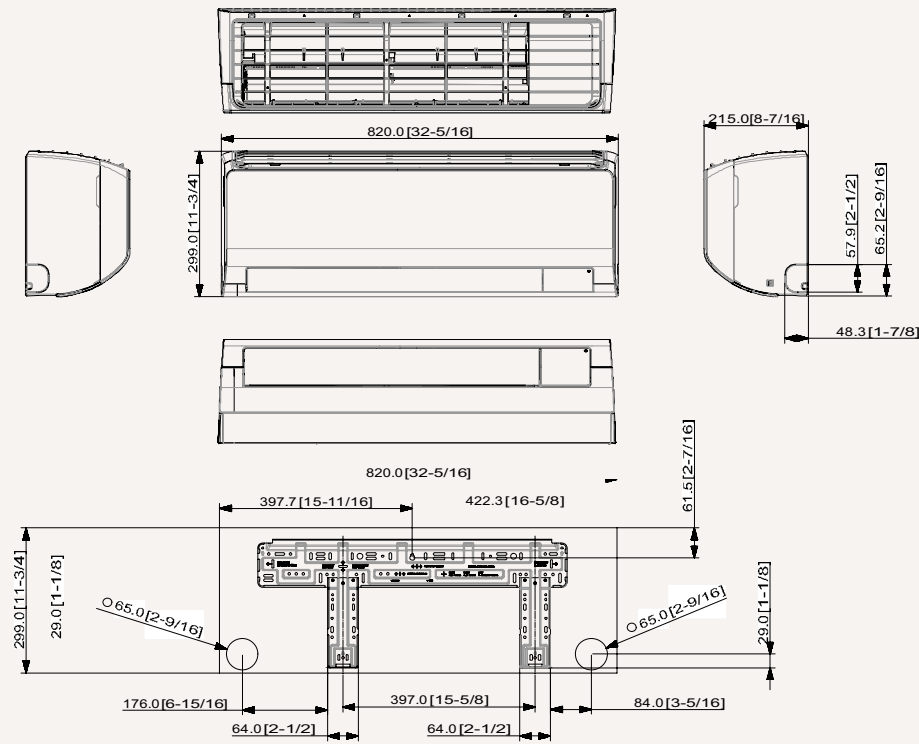
¹ The centralized controller is only compatible with specific bigger capacity ODU i.e. AR18TXHZAWKXEU and AR24TXHZAWKXEU. It is not compatible with the 2.5kW and 3.5kW RAC ODU.

² Energy labels as shown are according to EU No 626/2011 (LOT10) label classification 2019, on a scale from D to A+++.

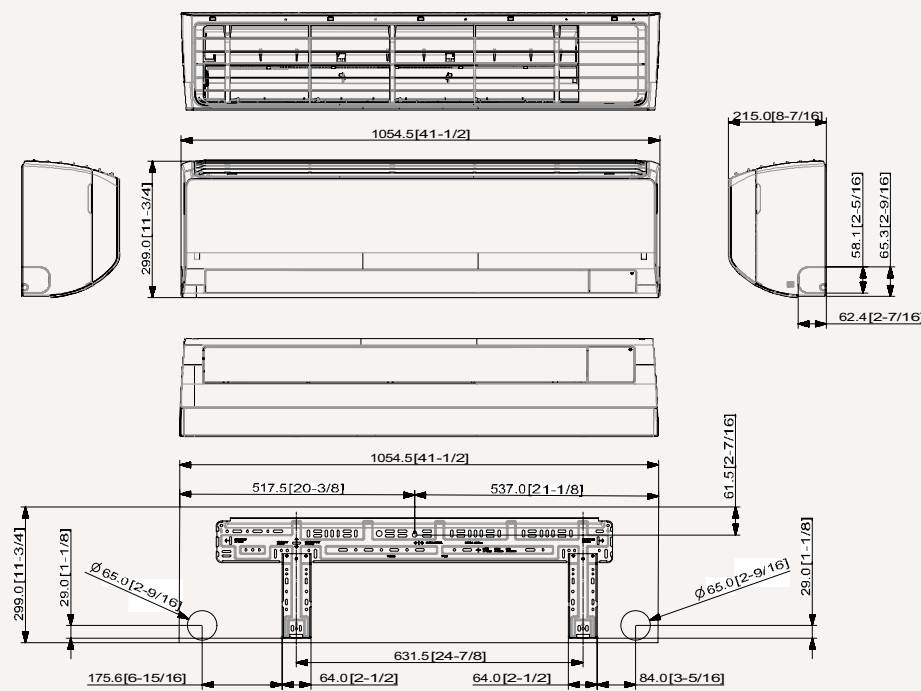
Dimensional drawings

Luzon - Indoor

AR09/12TXHZAWKNEU

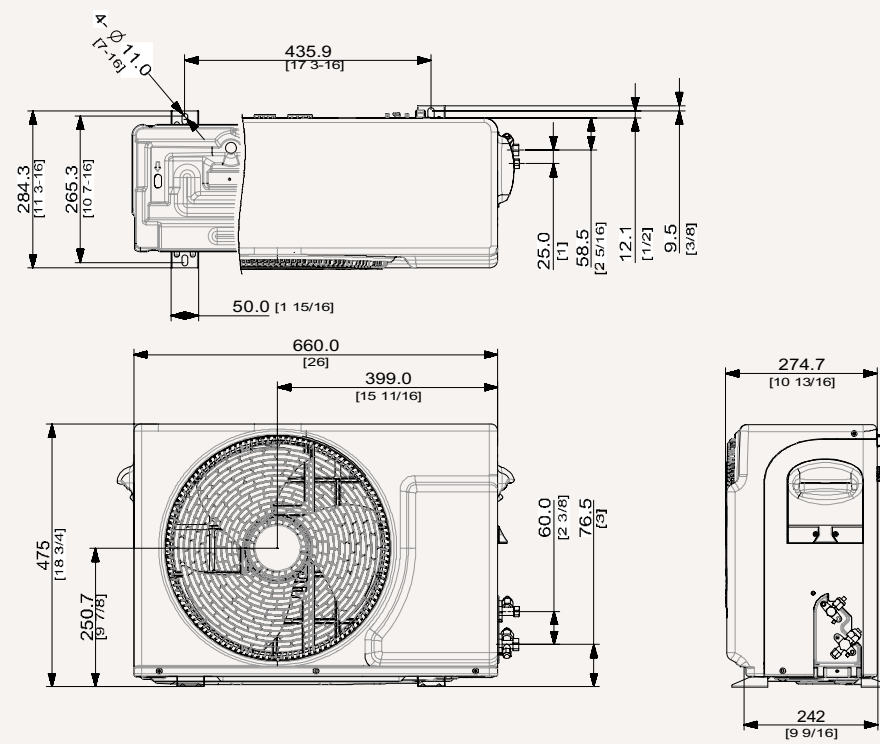


AR18/24TXHZAWKNEU



Luzon - Outdoor

AR09/12TXHZAWKXEU



AR18/24TXHZAWKXEU

