

Specifications

WindFree™ Elite  





- Three-step cooling: Fast Cooling mode, Dehumidification mode and WindFree™ Cooling mode.
- Tri-Care Filter system with Zeolite Coating.
- AI Auto Comfort and Motion Detect Sensor.
- Wi-Fi Control with Samsung SmartThings and Bixby voice controls.
- Compressor with Digital Inverter Boost technology.
- Equipped with NASA communication protocol.
- Direct drive fan powered by a BLDC motor.
- Triple Protector Plus to protect compressor, fan and controller from power surges.
- Compatible with wired remote controller and with centralized controller.



Indoor Unit		AR09TXCAAWKNEU	AR12TXCAAWKNEU	
Outdoor Unit		AR09TXCAAWKXEU	AR12TXCAAWKXEU	
Capacity				
Capacity	Cooling (Nominal)	kW	2.5	3.5
	Cooling (Min-Max)	kW	0.9-3.6	0.9-4.8
	Heating @ +7 °C	kW	3.2	4.0
	Heating (Min-Max)	kW	0.8-7.1	0.8-7.3
	Heating @ -5 °C	kW	4.15	4.83
	Heating @ -10 °C	kW	3.98	4.62
	Heating @ -15 °C	kW	3.92	4.52
Performance				
Energy Efficiency Cooling	SEER ¹	W/W	8.8/ A+++	8.5/ A+++
	Power Consumption	kWh/a	99	144
	Pdesignc	kW	2.5	3.5
	EER	W/W	4.63	3.95
Energy Efficiency Heating	SCOP ¹	W/W	5.1/ A+++	5.1/ A++
	Power Consumption	kWh/a	631	659
	Pdesignh (average)	kW	2.3	2.4
	COP ¹	W/W	4.74	4.26
Moisture Removal		l/h	1.0	1.5
Maximum Airflow (Cooling)	Indoor Unit	m ³ /min	11.1	12.1
	Outdoor Unit	m ³ /min	45.0	45.0
Sound Power	Indoor Unit (Cooling)	dB(A)	56	58
	Outdoor Unit (Cooling)	dB(A)	59	62
Sound Pressure	Indoor Unit High/Silent Mode	dB(A)	39/16	40/16
	Outdoor Unit High	dB(A)	45	46
Operating Temperature Range	Cooling	°C	-10-46	-10-46
	Heating	°C	-15-24	-15-24
Electrical Data				
Power Source	Φ, V, Hz		1Φ, 220-240 V, 50 Hz	1Φ, 220-240 V, 50 Hz
Compressor Type	Outdoor Unit	Type	BLDC Rotary	BLDC Rotary
Power Consumption	Cooling	W	540	885
	Heating	W	675	940
Operating Current	Cooling	A	2.9	4.1
	Heating	A	3.4	4.4
Dimensions				
Net Dimensions (W x H x D)	Indoor Unit	mm	889 x 299 x 215	889 x 299 x 215
	Outdoor Unit	mm	790 x 548 x 285	790 x 548 x 285
Net Weight	Indoor Unit	kg	10.6	10.6
	Outdoor Unit	kg	32.5	32.5
Refrigerant				
Refrigerant	Type		R32 (contains fluorinated greenhouse gases. GWP = 675)	
	Charging (for 5 m)	kg	0.97	0.97
	Charging Ton Equivalent CO ₂	tCO ₂ e	0.65	0.65
	Additional Refrigerant Charging	g/m	15	15
Piping Connections	Liquid Pipe	ø, mm (inch)	6.35 (1/4)	6.35 (1/4)
	Gas Pipe	ø, mm (inch)	9.52 (3/8)	9.52 (3/8)
Piping Length	Min/Max (ODU to IDU)	m	3/15	3/15
Piping Height	Max	m	8	8
Piping Connections	Drain Pipe	ø, mm	ø16.3, 550 mm	ø16.3, 550 mm



Indoor Unit		AR09TXCAAWKNEU	AR12TXCAAWKNEU
Outdoor Unit		AR09TXCAAWKXEU	AR12TXCAAWKXEU
Functions			
Airflow	WindFree™ Cooling	●	●
	Air Direction Control (Up/Down)	Auto	Auto
	Air Direction Control (Left/Right)	Auto	Auto
	Auto Fan Speed	●	●
Air Purification	Tri-Care Filter	●	●
	Easy Filter Plus	●	●
	Auto Clean (Self-Cleaning)	●	●
Operating Mode	AI Auto Comfort with Wi-Fi & MDS (direct/indirect)	●	●
	AI Auto Comfort with Wi-Fi	●	●
	Auto Mode (without Wi-Fi)	-	-
	Fast Cooling	●	●
	Good Sleep	●	●
	Eco	●	●
	Dehumidification	●	●
	Fan	●	●
	Quiet	●	●
	Other Functions	Samsung SmartThings	●
MDS (Motion Detect Sensor)		●	●
Indoor Temperature Display		●	●
Display On/Off		88 Display	●
Beep On/Off		●	●
Auto Changeover		●	●
Auto Restart	●	●	

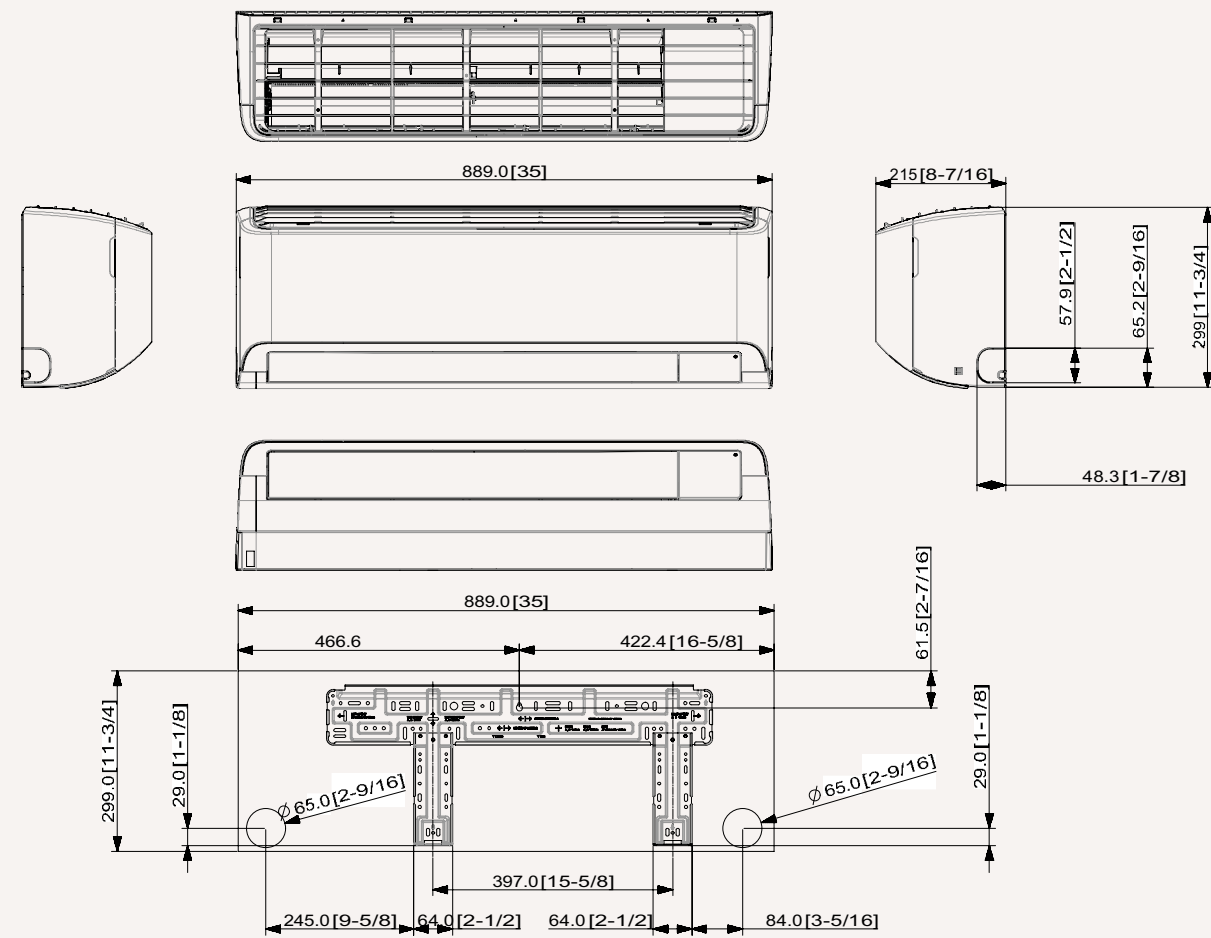
Accessory			
			
Wireless Remote Controller (Included)	Advanced Wired Controller	Simple Type Controller	Touch Controller
	MWR-WG00JN/MWR-WG00KN	MWR-SH00N	MWR-SH11N

¹ Energy labels as shown are according to EU No 626/2011 (LOT 10) label classification 2019, on a scale from D to A+++.

Dimensional drawings

WindFree™ Elite - Indoor

AR09/12TXCAAWKNEU



WindFree™ Elite - Outdoor

AR09/12TXCAAWKXEU

